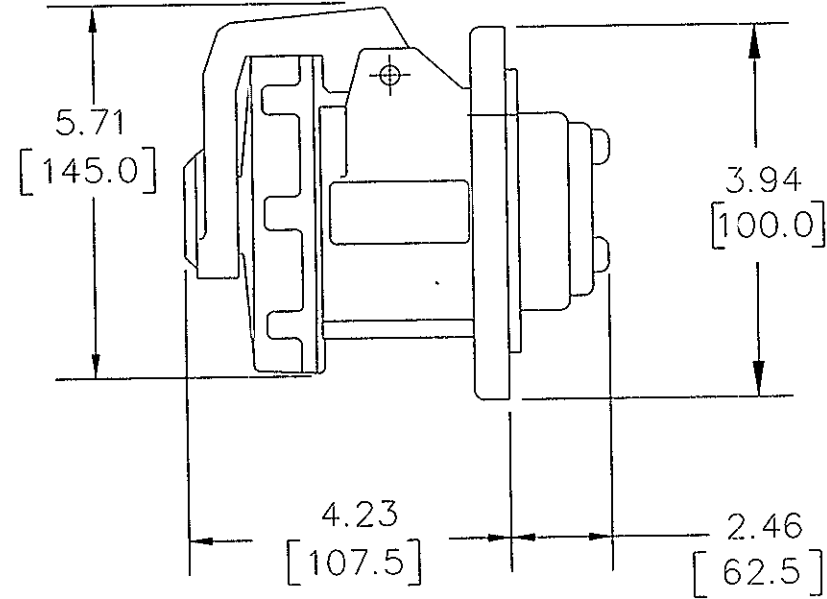
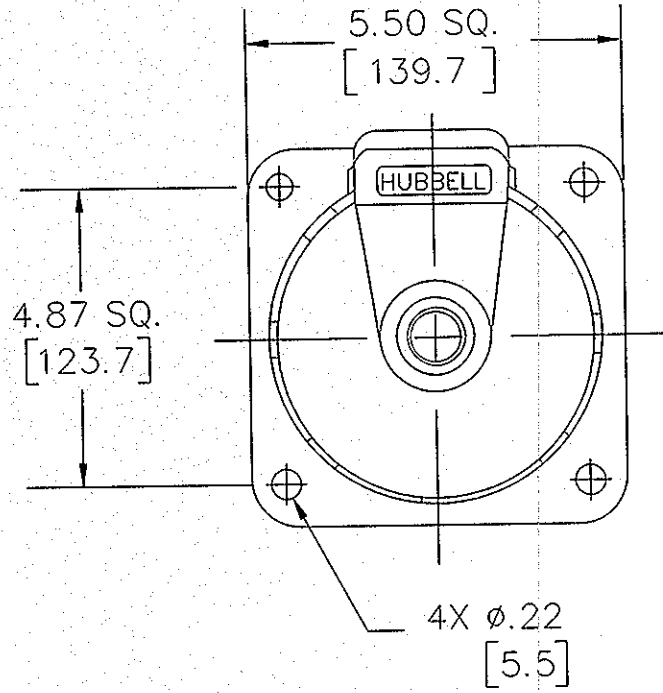


M-6081 6

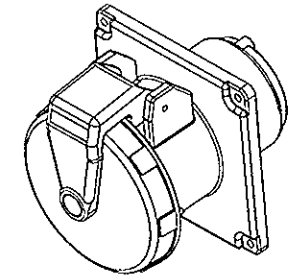


NOTES: (UNLESS OTHERWISE SPECIFIED)

- 1) TOLERANCES ARE:  
DECIMALS ± .03  
ANGLES ± 2°
- 2) DIMENSIONS ARE: INCHES  
[mm]

LIST OF PARTS

DESCRIPTION	MATERIAL	FINISH
HOUSING	SEE TABLE	
INTERIOR	THERMOSET	
SLEEVES	BRASS	
SLEEVE INSERTS	BERR COPPER	
TERMINAL SCREWS	STAIN. STEEL	
COVER	POLYESTER	
COVER SCREW	BRASS	NICKEL
COVER SPRING	STAIN. STEEL	
GASKET	NEOPRENE	
DISC	POLYCARBONATE	
ARM	POLYESTER	
HINGE PIN	STAIN. STEEL	
HINGE SPRING	STAIN. STEEL	
ASSEMBLY SCREWS	STAIN. STEEL	



CATALOG NO. HBL4100R7W  
(NOT SHOWN TO SCALE)

CAT. NO.	CONFIGURATION	RATING	COMMENTS	HOUSING		CAT. NO.	CONFIGURATION	RATING	COMMENTS	HOUSING	
				MATERIAL	COLOR					MATERIAL	COLOR
						HBL4100R7W		100 A 3ø 480 VAC		NYLON	RED
						HBL4100R9W		100 A 3ø 250 VAC		NYLON	BLUE
HBL4100R5WS		100 A 3ø 600 VAC PILOT CONTACT A600		NYLON	BLACK						
HBL4100R5W		100 A 3ø 600 VAC		NYLON	BLACK						
HBL4125R6W		125 A 380-415 VAC		NYLON	RED	HBL4100R12W		100 A 3ø 125/250 VAC		NYLON	ORANGE

6	ADDED ISO VIEW TO INDICATE SOLID MODEL EMBEDDED IN DRAWING. PER DCN 21895 DDL	DJP	02/22/16
SYM	REVISIONS	APP	DATE

THE DESIGN AND DIMENSIONS OF THE PRODUCT SHOWN ON THIS DRAWING ARE SUBJECT TO CHANGE WITHOUT NOTICE

TITLE  
100A & 125A 3 POLE 4 WIRE  
PIN AND SLEEVE RECEPTACLES

TOLERANCES UNLESS OTHERWISE SPECIFIED .XX = ± .01 .XXX = ± .005 ANGLES = ± 2°	WIRING DEVICE-KELLEMS HUBBELL INCORPORATED SHELTON, CT			
	DR. BY	WTC	APP. BY	DJP
	TR. BY	JMN	SCALE	NONE
	CHK'D BY	DJP	DATE	06/26/06

DIMENSION SHEET FOR CAT. NO. SEE TABLE REPAIRABLE  NON-REPAIRABLE  M-6081 6